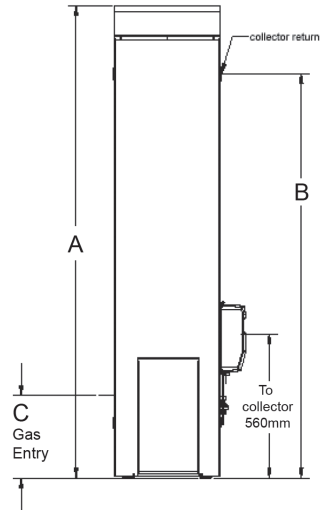
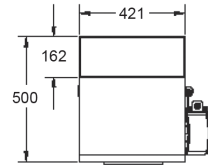
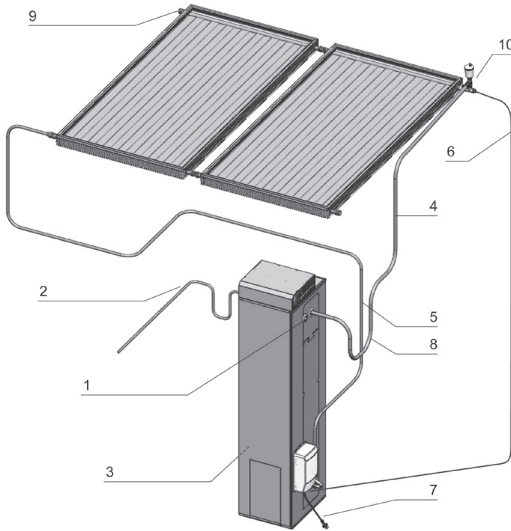




Specifications



System Components	
Component	Description
1	PTR Valve
2	Hot Water Outlet To House
3	Cold Water Inlet (not visible)
4	Solar Collector Return
5	Cold Water Outlet To Solar Collector
6	Collector Cable
7	Power Supply Cable
8	Heat Trap (300mm Recommended)
9	Anti Frost Protection Valve (Optional)
10	Air Bleed Valve

Tank Specifications	
Model Numbers	170FNS
Mass (Kg)	87
Dimensions	
A	1898
B	1622
C	330
Baffle Length	1236
Capacity (L)	170