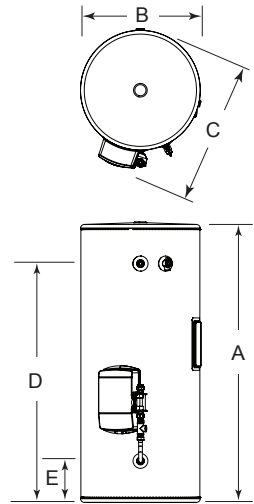
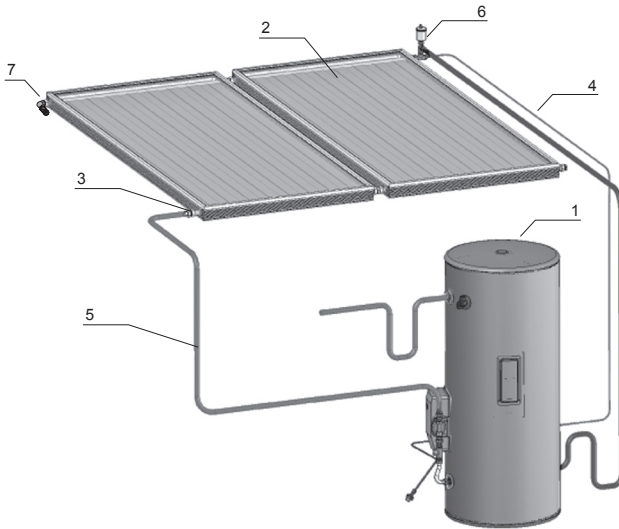




# Owner's Manual – Electric Boosted Solar Specifications



System Components	
Item Number	Description
1	Solar Electric Tank Assy
2	Solar Collector Panel
3	Solar Collector Panel Fitting Kit
4	Solar Collector Sensor Lead
5	Tank – Collector Pipework
6	Air Bleed Valve
7	Ant-Frost Valve

Dimensions (mm)	250L	315L	400L
Tank Height (A)	1444	1754	1703
Tank Diameter (B)	617	617	705
Tank Width (C)	718	718	806
Outlet (D)	1231	1541	1466
Inlet (E)	215	215	240

Specifications	250L	315L	400L
Storage Capacity (L)	259	324	416
Hot Water Delivery (L)	250	315	400
Net Weight Empty (kg)	90	105	120
Relief Valve Pressure (kPa)	1000	1000	1000