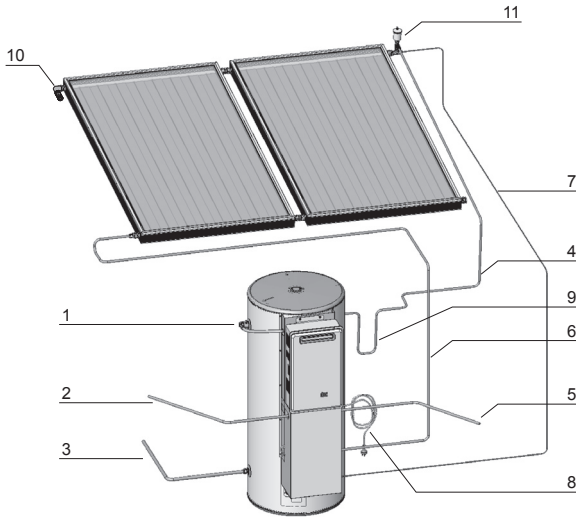




Owner's Manual – Sunpro Gas Post-Boosted Solar Specifications



System Components

1	PTR Valve
2	Hot Water Outlet To House
3	Cold Water Inlet
4	Solar Collector Return
5	Gas Inlet
6	Cold Water Outlet to Solar Collector
7	Sensor Cable
8	Power Supply Cord
9	Heat Trap (300mm recommended)
10	Hotlogic Frost Protection Valve (Optional)
11	Air Bleed Valve

Installation Dimension Table

	250L (mm)	315L (mm)	400L (mm)
Tank Height	1444	1754	1703
Tank Diameter	617	617	705
Hot Water Outlet – From Base – From Wall †	765 LHS 737	1075 LHS 737	1025 LHS 825
Cold Water Outlet – From Base – From Wall †	215 LHS 308	215 LHS 308	240 LHS 352
Gas Entry – From Base – From Wall †	765 LHS 717	1075 RHS 805	1025 RHS 805
Hot Return Lines from Collectors – From Base – From Wall †	1231 RHS 308	1541 RHS 308	1466 RHS 352
Cold Outler to Collectors – From Base – From Wall †	460 LHS 672	760 LHS 672	710 LHS 760

† Measurements from wall – minimum distance of unit from structure still applies as per plumbing codes. All measurements approximate only. Specification and material may change without notice.